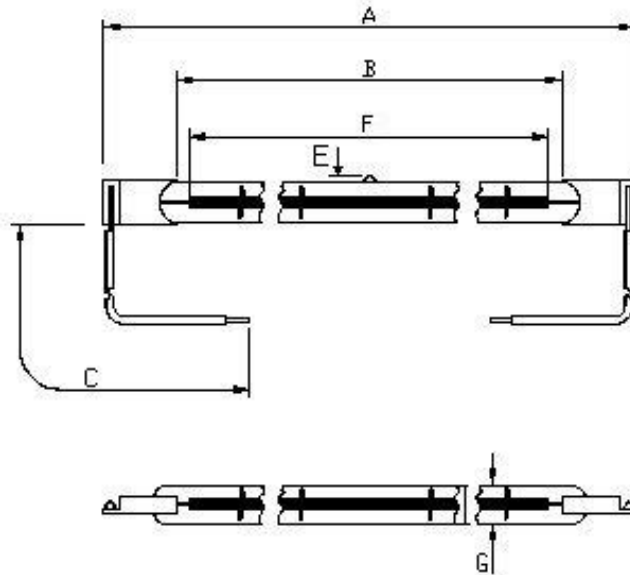


Victory Lighting Product Data Specification

Product Code: 64241022
Issue No: 5
Issue Date: 12 October 2004



Dimensions

A	348±2	E	5 Max
B	306	F	270 Nom
C	140±5	G	10.5

All dimensions in mm unless otherwise stated

Technical Data

Volts	240	Colour Temp	2450K
Watts	1000	Life	5000
Lumen/Watt	4-6	Burning Position	Horizontal
Finish	Clear	Leads	Uninsulated
Cap	Metal cap (Y)		

- Lead: Nickel plated with no insulation or termination.
- Peak wavelength 1180nm

Weight on own: (Kg)

Weight in box: (Kg)

Inner Box Code: 205386

	L	W	D
Inner Box: (cm)	39	4.4	4.4

240V 1000W IR Lamp	Authorised By
--------------------	---------------